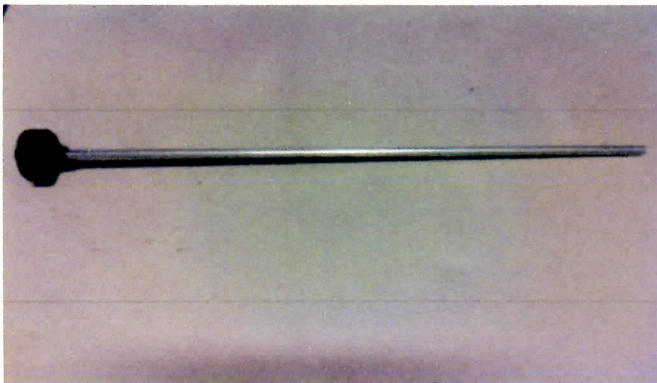
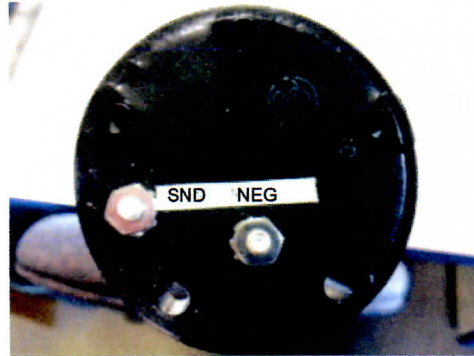


# Capacitance Resistant Fuel Sender

## Standard 5- Hole Holder, SAE Bolt Pattern

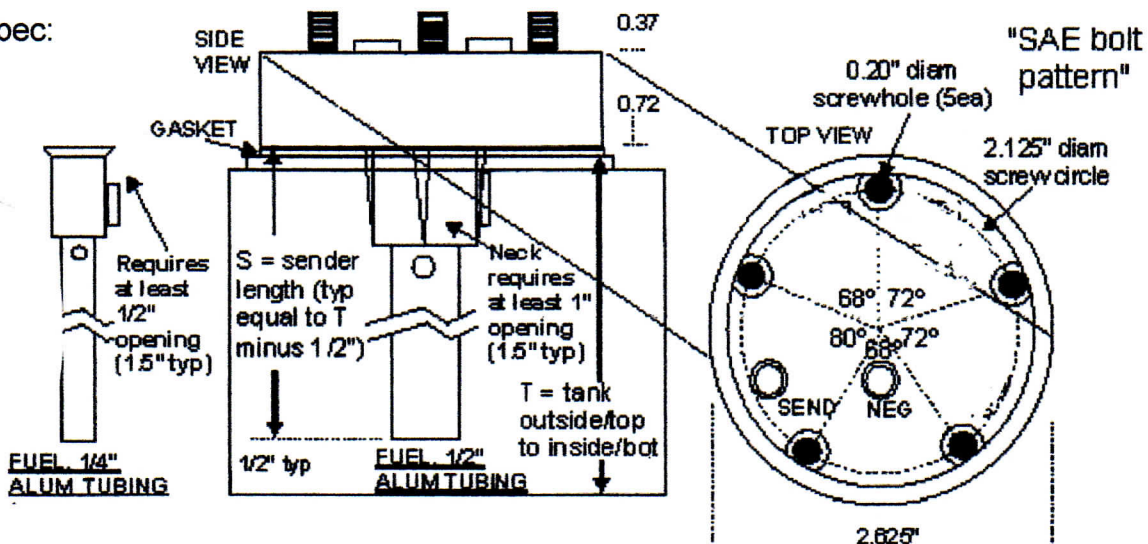
### Features

- \* For oil, diesel or gasoline of up to 10% ethanol
- \* Electronic- No moving parts
- \* Sealed SMT electronics
- \* Self- Calibrating function
- \* Easy Installation
- \* Volumetric measurement for use in non-standard- shaped tanks
- \* Compact design: robust extruded aluminum tube & reduced mass
- \* For heavy-duty, on & off road, industrial, specialty vehicle, marine and automotive related fuel level sensing applications



- \* Available in lengths up to 48".
  - \* For longer lengths please contact us
  - \* Connections:
    - NEG connect this to DC ground
    - SEND connect to the send input of your gauge or display
- Note: These senders only work with negative-ground

### Mounting Spec:



If you have any questions or would like to place an order  
 Contact us by:  
 PH: 780-963-8930 or Email: [sales@c-a-i.net](mailto:sales@c-a-i.net)  
[www.cainstruments.com](http://www.cainstruments.com)  
 33 Boulder Blvd. Stony Plain, AB T7Z 1V6